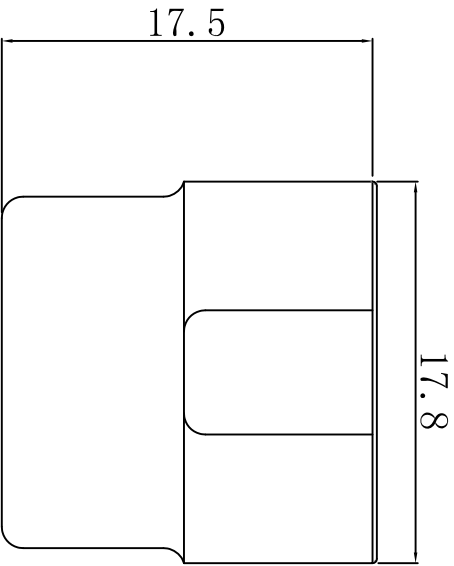
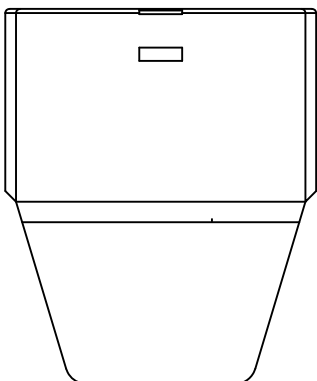
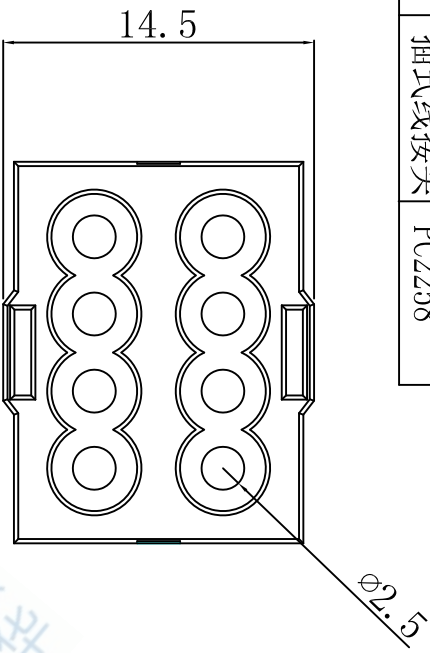


料号 Part NO.	品名 Parts Name
PC2258	插式线接头 PC2258



Housing Material: Polycarbonate (PC) and Polyamide 66 (PA66), flame-retardant to UL 94V-0
 Current: 24A (IEC)
 Voltage: 450V (IEC), 600V (UL)
 Working TEMP: 110°C (IEC), 105°C (UL)
 Wire Range: 1.0-2.5mm² Sol/Rigid (IEC), #22-#12 AWG, Sol Cu (UL)
 Stripping Length: 11mm



未经授权不得修改和复印
 该知识产权属于技术质量部;

DIMENSION		TOLERANCES		FIRST ANGLE PROJ		LTR.	NEW PART	REVISION RECORD	DWG. BY	CHK. BY	DATE	DWG. BY	UNIT	mm
0.0	±0.30	0.00				A			<i>william</i>	<i>ya wang</i>	<i>201608</i>	<i>liu liang</i>	UNIT	
												<i>CHK. BY</i>	REV.	A
												<i>APP. BY</i>	DWG. NO.	PC2258