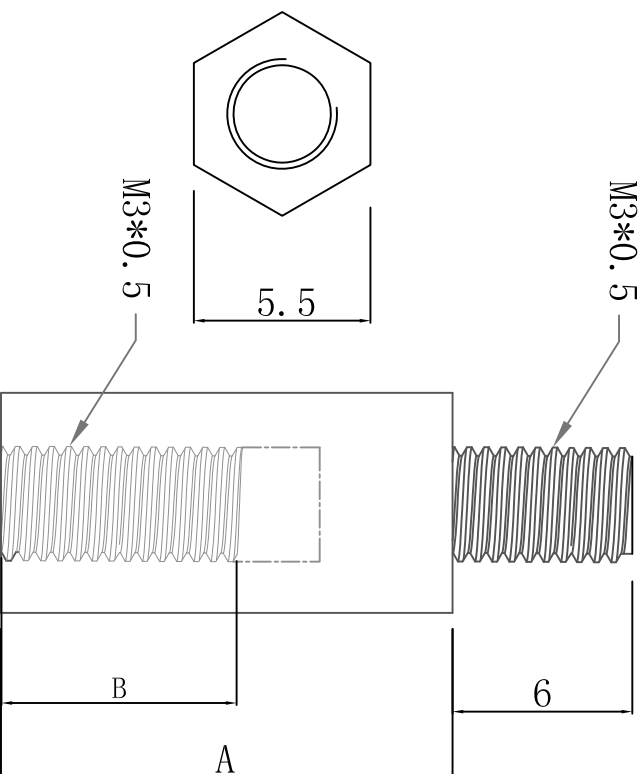


料号 Part NO.	品名 Parts Name	A	B
34-TP-11	塑胶铜柱 TP-11	11.0	6.0



◆ MATERIAL: NYLON66 (UL) 94V-2  
◆ UNIT: mm  
用途: 做为PC板与机板间之固定, 六角型不滑动。



未经授权不得修改和复印  
该知识产权属于技术质量部;

DIMENSION		TOLERANCES		LTR.	REVISION RECORD	DWG. BY	CHK. BY	DATE
0.0				A	NEW PART	<i>oullian</i>	<i>zy wang</i>	<i>2011/28</i>
0.00		±0.5						
FIRST ANGLE PROJ								
DWG. BY	<i>Lin Liang</i>	UNIT	mm					
CHK. BY	<i>oullian</i>	REV.	A					
APP. BY	<i>wang ziyuan</i>	DWG. NO.	HIMA/QR-JZ-34-TP-11					