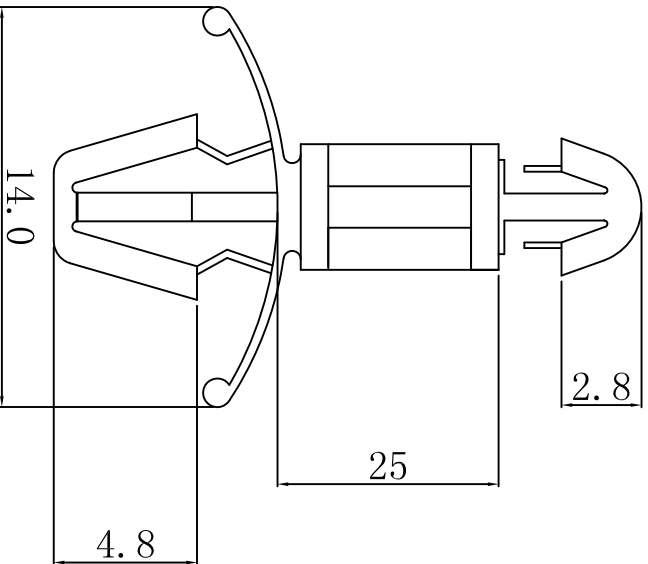


料号 Part NO.	品名 Parts Name
34-LCBU-25	PC板间隔柱 LCBU-25

P. C. B $\varnothing 3.5$
Thickness 1.2-1.7



Chassis $\varnothing 4.8$
Thickness 0.8-2.2

用途: 固定PC板与PC板之固定; 不占空间
材质: NYLON66(UL)
防火等级: 94V-2
颜色: 白色 (本色)



未经受权不得修改和复印
该知识产权属于技术质量部;

DIMENSION		TOLERANCES		FIRST ANGLE PROJ		NEW PART		REVISION RECORD		DWG. BY		UNIT	
0.0	0.00	± 0.5		A		NEW PART		REVISION RECORD		APP. BY		mm	
				A		NEW PART		REVISION RECORD		CHK. BY		REV.	
				A		NEW PART		REVISION RECORD		APP. BY		DWG. NO.	
				A		NEW PART		REVISION RECORD		APP. BY		HIWA/QR-JZ-34-LCBU-25	

HIWA 惠华 苏州惠华电子科技有限公司