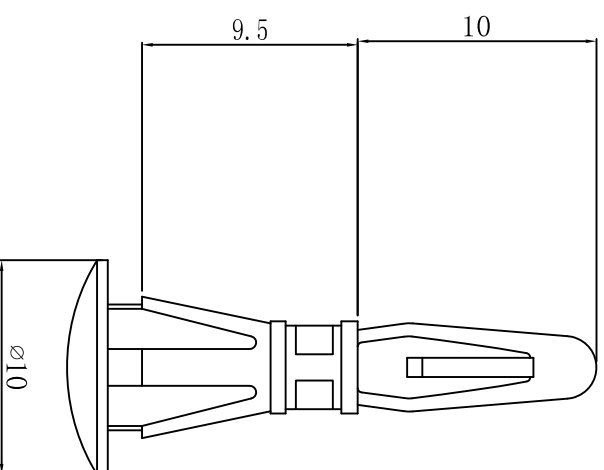


料号 Part NO.	品名 Parts Name
34-RCFL-9.5	PCB板间隔柱 RCFL-9.5

PCB $\varnothing 4.0$
thickness 厚度: 1.6



CHASSIS $\varnothing 6.0$
thickness 厚度: 0.8-1.2

- ◆ MATERIAL: NYLON 66(UL)
 - ◆ FLAME CLASS: 94V-2
 - ◆ COLOR: NATURAL
- 用途: 固定PC板于机板上, 不会突出板底部, 外表美丽.



未经授权不得修改和复印
该知识产权属于技术质量部;

DIMENSION	TOLERANCES										
0.0 0.00	± 0.30										
PRIST ANGLE PROJ		A	NEW PART	<i>willian</i>	<i>yan wang</i>	<i>20108</i>	DWG. BY	CHK. BY	DATE	DWG. BY	UNIT
		LTR.	REVISION RECORD								mm
							APP. BY	CHK. BY	REV.	DWG. NO.	
							<i>wang zhiyan</i>	<i>willian</i>	A	HIMA/QR-JZ-34-RCFL-9.5	