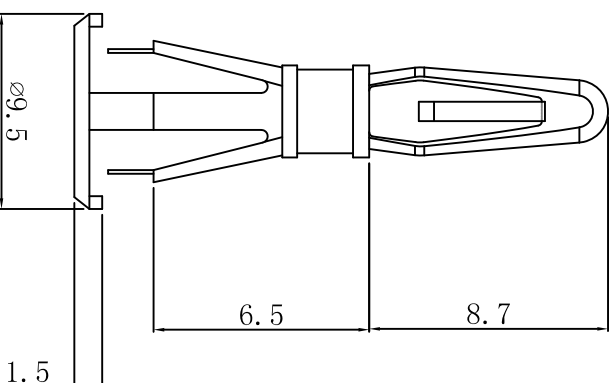


料号 Part NO.	品名 Parts Name
34-RCW-6.5	PCB板间隔柱 RCW-6.5

PCB $\varnothing 3.2$
thickness 厚度: 1.2-1.7



CHASSIS $\varnothing 4.8$
thickness 厚度: 1.2-1.6

- ◆ MATERIAL: NYLON 66(UL)
 - ◆ FLAME CLASS: 94V-2
 - ◆ COLOR: NATURAL
- 用途: 固定PC板于机框上, 不会突出机框底部, 外观表面。



未经并受权不得修改和复印
该知识产权属于技术质量部;

DIMENSION	TOLERANCES					DWG. BY	CHK. BY	DATE	UNIT
0.0 0.00	± 0.30								mm
FIRST ANGLE PROJ		A	NEW PART	DATE	CHK. BY	DATE			
		LTR.	REVISION RECORD	DWG. BY	CHK. BY	DATE			
				<i>willian</i>	<i>yu wang</i>	<i>20108</i>	DWG. BY	CHK. BY	DATE
							APP. BY	DWG. NO.	
							<i>wang zhiyan</i>		HIMA/QR-JZ-34-RCW-6.5
							CHK. BY	REV.	A
							<i>willian</i>		
							DWG. BY	UNIT	
							<i>liu liang</i>		



苏州惠华电子科技有限公司