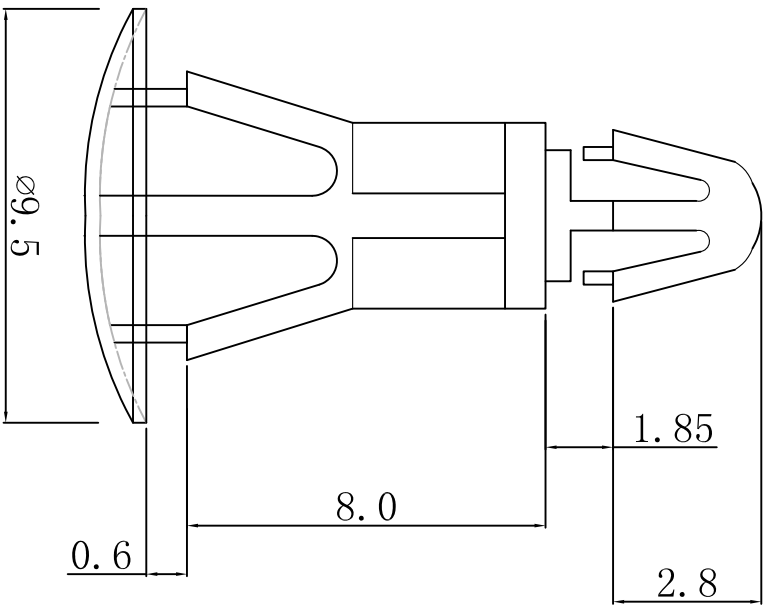


料号 Part NO.	品名 Parts Name
34-RCA-8	PC板间隔柱 RCA-8

PCB $\phi 3.0$
thickness 厚度: 1.2-1.7



CHASSIS $\phi 5.5$
thickness 厚度: 0.6-1.2

- ◆ MATERIAL: NYLON 66(UL)
 - ◆ FLAME CLASS: 94V-2
 - ◆ COLOR: NATURAL
- 用途: 固定PC板于机板上, 不含突出机板底部, 外观美观。



未经许可不得修改和复印
该知识产权属于技术质量部;

DIMENSION		TOLERANCES		DWG. BY		CHK. BY		DATE	
0.0									
0.00		± 0.50							
FRIST ANGLE PROJ				NEW PART		REV. BY		DATE	
				A		LTR.		REVISION RECORD	
				DWG. BY		CHK. BY		DATE	
				liu liang		wang zhuoyan		2018/08	
				APP. BY		DWG. NO.		HIWA/QR-JZ-	
				wang zhuoyan		34-RCA-8			
				UNIT		REV.		A	
				mm					